

2011



An Environmental Low Impact Vehicle System

The 12,000 pound output 'minivib' offers a 10 to 300 Hz output -

An Environmental Low Impact Vehicle System

The 'minibuggy' off-road carrier with the 'minivib' II vibrator is an advanced seismic source production system designed for high resolution and high production geophysical prospecting. The 12,000 pound output 'minivib' II offers a 10 to 300 Hz output. The advanced system features include high fidelity and broad band width, low source generated ground pressure, low vehicle generated ground pressure, sound limiting systems, and ergonomic operator features. Wagen wheel articulated steering, which was first introduced to the geophysical industry by IVC in 1984, offers safe and reliable off road operation. This system is an excellent choice for environmentally sensitive, high resolution surveys.



The **EnviroVibe** is a low impact vibrator system designed for Oil and Gas reflection surveys. The system is optimized for operation in environmentally restricted or **populated areas.**

2011



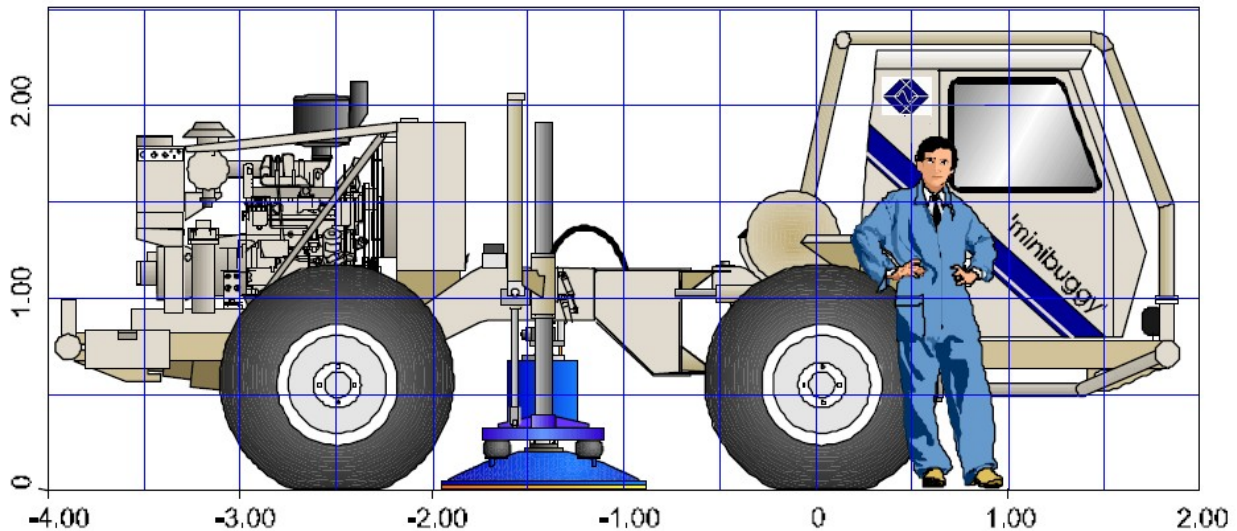
An Environmental Low Impact Vehicle System

The 12,000 pound output 'minivib' offers a 10 to 300 Hz output -

6 Meters x 2.20 Meters

Side View Dimensional Drawing of the 'minivib' II mounted on the 'minibuggy'

meters



Technical Specifications of the 'minivib' mounted on the 'minibuggy'

2011



An Environmental Low Impact Vehicle System

The 12,000 pound output 'minivib' offers a 10 to 300 Hz output -

'minibuggy' Vehicle

CATEGORY	ENGLISH	METRIC
Total Weight	14,040 Pounds	6.368 kgf.,
Front Axle Weight	6,395 Pounds	2.900 kgf.
Rear Axle Weight	7,645 Pounds	3.468 kgf.
Traction System Pressure	3,500 PSI	207 bar
Transmission	Hydrostatic 3 Speed	Hydrostatic 3 Speed
Cab	2 Man Vista Cab	2 Man Vista Cab
Turning Radius	169 Inches	4,29 meters
Diesel Engine - John Deere	103 Horsepower @ 2500 RPM	77 kW @ 2500 RPM
Axles	Inboard Planetary	Inboard Planetary
Brakes	Enclosed Wet Disc	Enclosed Wet Disc

'minivib' II Vibrator

CATEGORY	ENGLISH	METRIC
Max Theoretical Peak Force	11,970 Pounds	53.245 N.
Mass Piston Area	3.99 Inches ²	25,7 cm ²
Reaction Mass Weight	990 Pounds	449,1 kgf.
Reaction Mass Stroke	2.75 Inches	6,99 cm.
Servo valve	60 GPM	227 l/m
Servo valve Pilot Filter	3 Micron	3 Micron
Baseplate Area	1,810 Inches ²	11.675 cm ²
Baseplate Assembly Weight	855 Pounds (with pad)	388 kgf. (with pad)
Lift System Stroke	38 Inches	96,5 cm.
Lift Cylinder Diameter	2.5 Inches	6,3 cm.
Lift Synchronization	Mechanical Crossbeam	Mechanical Crossbeam
Vibrator Pump Flow	25 GPM	94,6 l/m
Holddown Weight	13,200 Pounds	5.987 kgf.

2011



An Environmental Low Impact Vehicle System

The 12,000 pound output 'minivib' offers a 10 to 300 Hz output -

OPTIONS

OPTION	DESCRIPTION
Front Winch	Hydraulically powered 8,000 pound winch
Noise Reduction Panels	Reduces the ambient noise of the 'minibuggy' from 82 dba to 79 dba, 7 meters from the side of the vehicle at full engine RPM
Cold Weather Options	Various heaters, covers, and other equipment for cold temperatures
Optional Lighting	Various vehicle lighting configurations for different local requirements
Cab Protective Structure	A cab structure designed to protect the cab in rugged conditions
Flotation Tire	Super Terra Grip 48x31-20 --10 psi ground pressure with no penetration

More Information:::

vibradores@apigeophysical.com

API GEOPHYSICAL S.A.

Oficina Corporativa::

Calle 100 No. 8A55, Torre C, Of. 312, World Trade Center, Bogota,
Colombia

Ph. (57-1) 621 02 97 - F: (57-1) 601 80 16